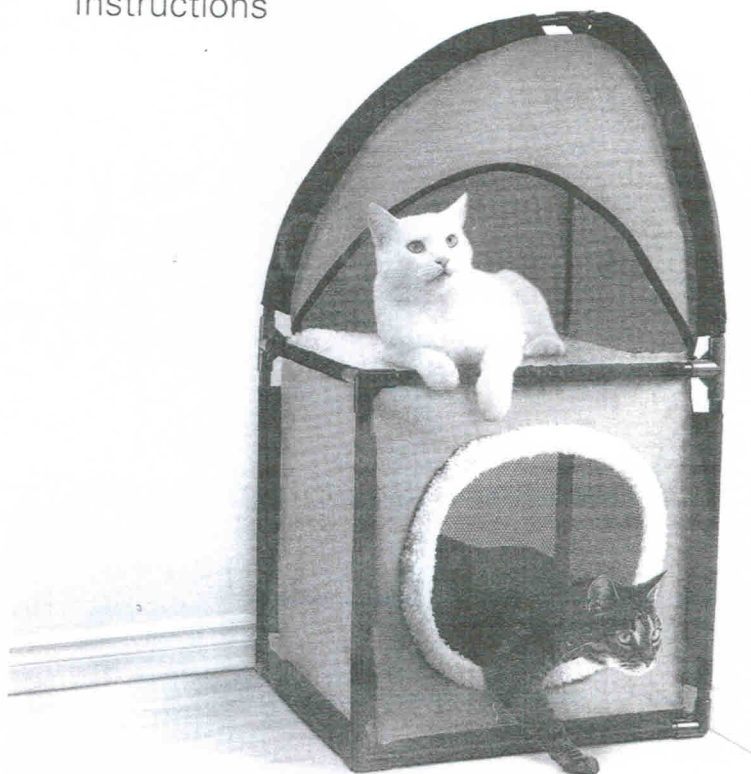
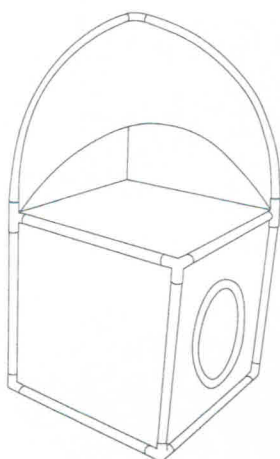
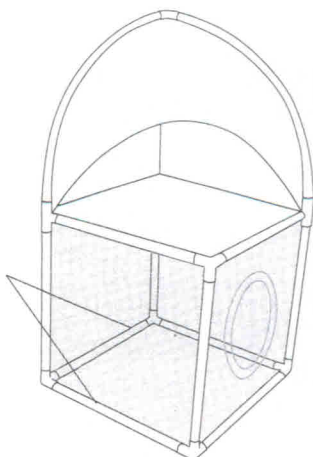


2-tier cattower

Instructions

4. Insert pipes C through bottom fabric cover sleeves, and into joints A.



Do not use any harsh or abrasive cleaners on this product. Wipe the fabric with a damp lukewarm cloth. For stubborn dirt, spot clean with a small amount of soap and a cloth. Air-dry only. Do not put in dryer. Do not dry clean.

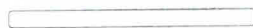
Parts List



A x 6



B x 3



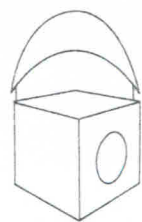
C x 13



D x 2

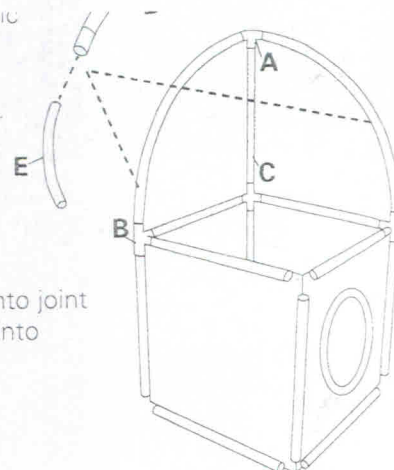


E x 2



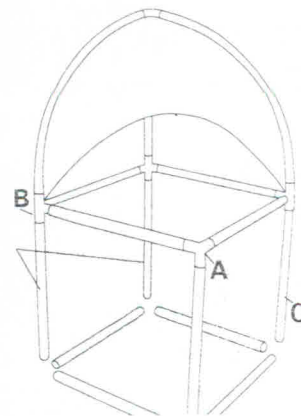
Fabric cover
F x 1

through top fabric cover sleeves.



2. Insert pipes D into joint A. And pipes E into joint B.

3. Insert pipes C through the top and side fabric cover sleeves, and into joints A and B.



Reminder: Push pipes into joints tightly