

SPECIFICATIONS

- Wind Speed 60 FPS at 12"
- Motor Speed 6500 RPMs
- Variable Speed Trigger Switch
- Large 2.75" (70mm) Diameter Blower
- Rechargeable 21V 6000mAh Lithium Battery
- USB Charging for phone or other devices
- 12 Ultra Light Fan Blades
- USB Type-C for Faster Charging
- Run Time 30 minutes
- Overcharge & Explosion Protection

CONTENTS

- 1 AirVolt™ Rechargeable Blower & LED Light
- 1 Multi Function 21V Battery Pack
- 1 USB Type-C Charging Cable



WARNING: This product and or packaging can expose you to chemicals including lead, which are known to the State of California to cause cancer and birth defects or other reproductive harm. For more information, go to www.P65Warnings.ca.gov.

California Proposition 65 warning listed above is provided to California consumers to ensure compliance with California Proposition 65.

Dist. by WCI, Inc. Commerce, CA 90040 • Product Support: www.wciimports.com/product-support

RECHARGEABLE BLOWER & LED LIGHT

With Multi Function 21V Battery Pack

- Variable Speeds
- Bright LED Lights
- Light Weight
- USB Type-C Charging

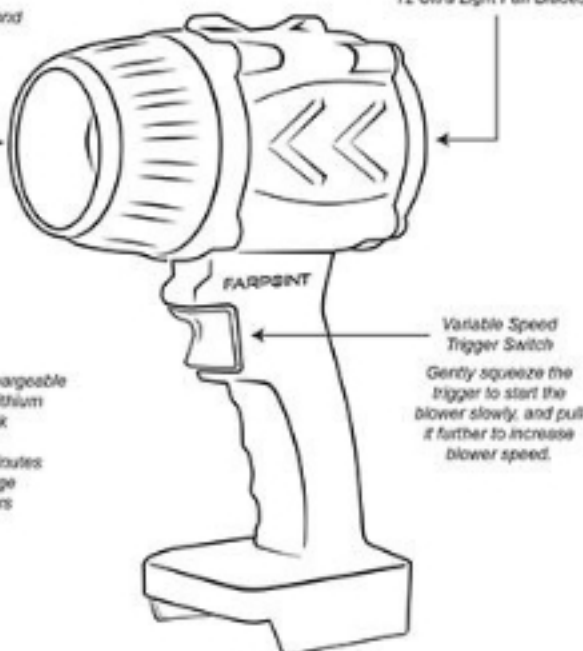


User Manual

Motor Speed: 6500 RPMs

Wind Speed:
60 Feet per Second
at 12 Inches

Large 2.75" (70mm)
Diameter Blower with
12 Ultra Light Fan Blades



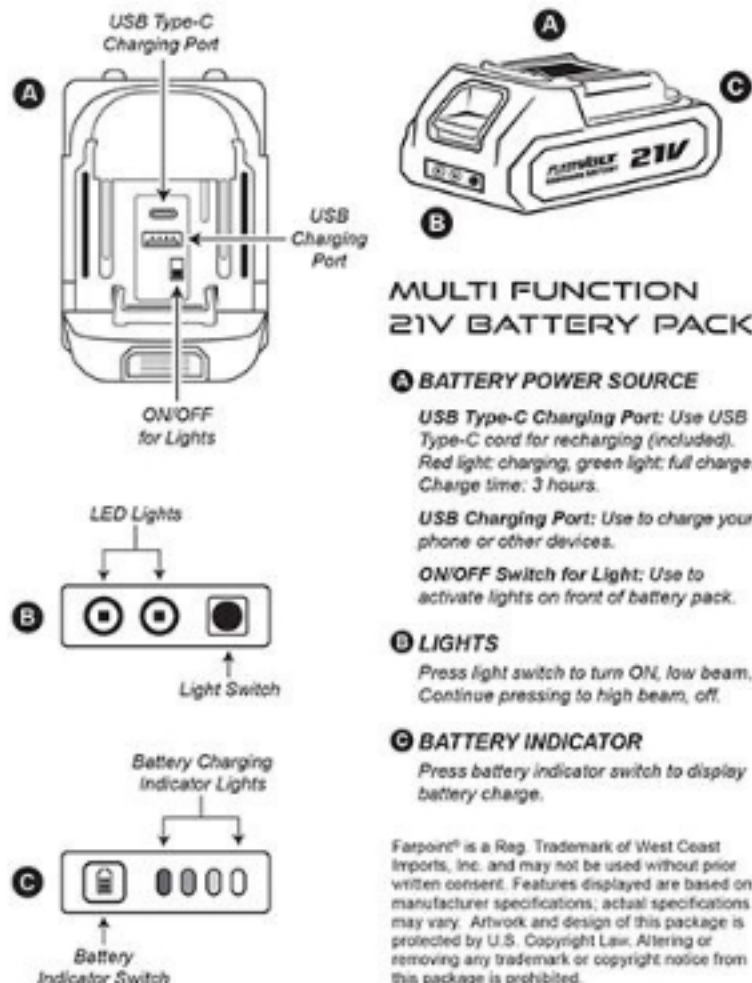
Multi Function Rechargeable
21V 6000mAh Lithium
Battery Pack

Run Time: 30 Minutes
Battery Charge
Time: 3 Hours

Easy Release & Lock
Press down and hold,
slide forward to remove.

Convenient Ultra Bright
LED Lights (High / Low Beam)

Battery Charging
Indicator Lights



MULTI FUNCTION 21V BATTERY PACK

A BATTERY POWER SOURCE

USB Type-C Charging Port: Use USB Type-C cord for recharging (included). Red light: charging, green light: full charge. Charge time: 3 hours.

USB Charging Port: Use to charge your phone or other devices.

ON/OFF Switch for Light: Use to activate lights on front of battery pack.

B LIGHTS

Press light switch to turn ON, low beam. Continue pressing to high beam, off.

C BATTERY INDICATOR

Press battery indicator switch to display battery charge.

Farpoint™ is a Reg. Trademark of West Coast Imports, Inc. and may not be used without prior written consent. Features displayed are based on manufacturer specifications; actual specifications may vary. Airvolt and design of this package is protected by U.S. Copyright Law. Altering or removing any trademark or copyright notice from this package is prohibited.