



10000 mAh

PORTABLE POWERBANK

BUILT IN CHARGING CABLES



USER MANUAL

Thank you for choosing the Lifestyle Advanced Portable Powerbank. Please read this User's Manual carefully, before using the powerbank, and please save this Manual for further reference. Before operating, please read all the Safety notices to assure safe and appropriate use.

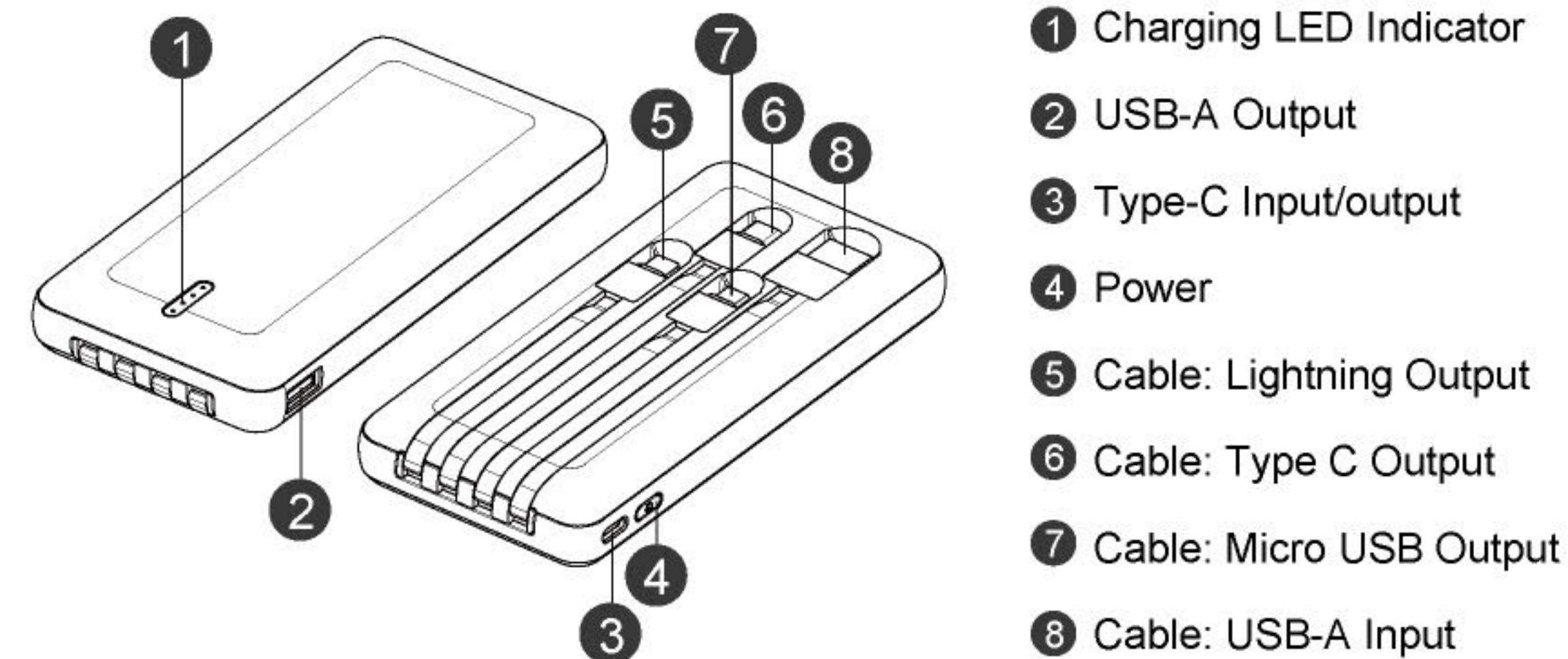
SPECIFICATIONS

USB-A OUTPUT	DC 5V2A
CABLE: MICRO-USB OUTPUT	DC 5V2A
CABLE: TYPE-C OUTPUT	DC 5V2A
CABLE: USB-A INPUT	DC 5V2A
CABLE: LIGHTING OUTPUT	DC 5V2A

FEATURES

1. Powerful Compatibility: Compatible with most electronic devices, including mobile phones, tablets, digital cameras and other USB charging enabled devices.
2. High performance: Connecting 5V voltage, both protect the devices and can charge in high speed.
3. Built-in Rechargeable Battery: Recyclable, environmental protection and energy efficient.

PRODUCT DIAGRAM



- 1 Charging LED Indicator
- 2 USB-A Output
- 3 Type-C Input/output
- 4 Power
- 5 Cable: Lightning Output
- 6 Cable: Type C Output
- 7 Cable: Micro USB Output
- 8 Cable: USB-A Input

DIRECTIONS

1. **Check Your Power Bank and Device Compatibility**
Ensure the power bank is charged and has enough charge to power your device. To check the power remaining on the powerbank, press the power button once to display.
2. **Make sure that the USB device you are charging, uses a standard USB charging cable** (e.g., USB-A to USB-C, USB-A to Lightning, or USB-A to Micro-USB).
3. **Connect Your USB Device to the Power Banks output ports.**
4. **Take the appropriate USB charging cable and connect one end to the USB output port of the power bank.**
Plug the other end into the charging port of your USB device.
5. **Verify Charging:**
After connecting, check if your device shows the charging indicator.
6. **Monitor the Charging Progress**

While charging, you can periodically check the progress on your device's screen (if available) or use the power bank's LED lights to estimate the remaining battery life.

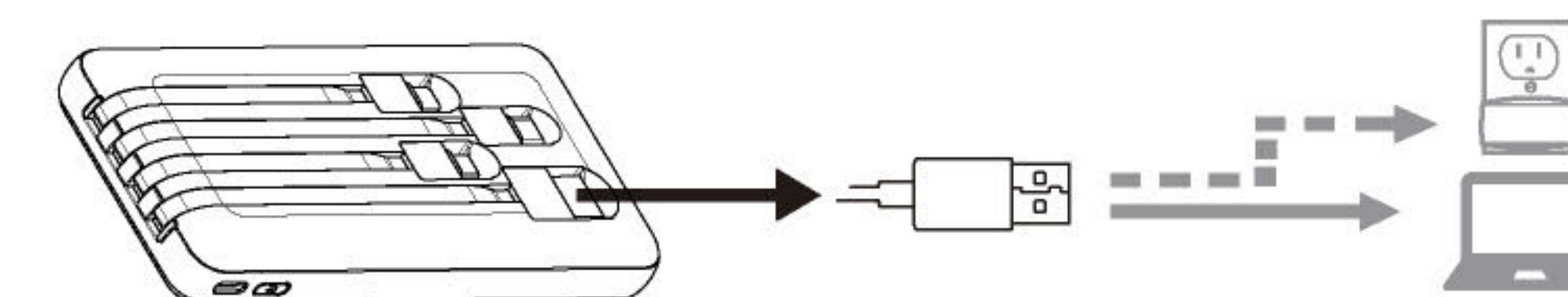
7. Turn Off the Power Bank (if needed)

If your power bank does not automatically stop charging once your device is fully charged, you may need to press the power button again to turn off the power bank.

8. Disconnect Once Charged

Once your device is fully charged, unplug the USB cable from both the device and the power bank.

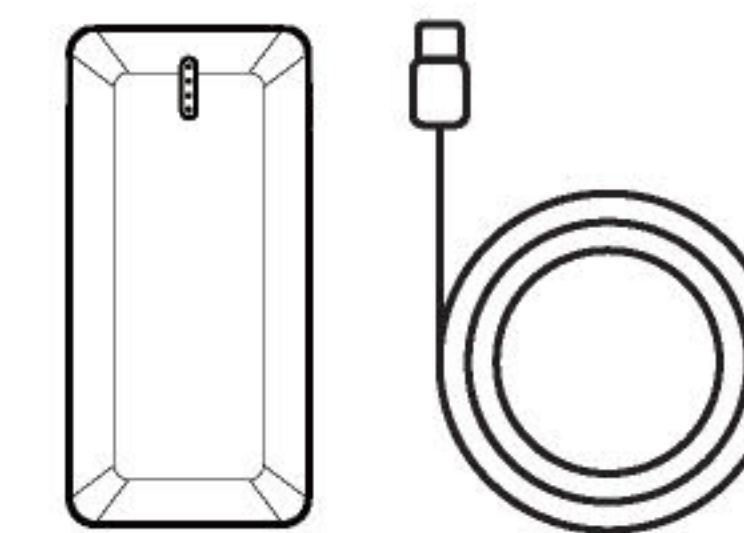
CHARGING THE POWERBANK



Plug the USB-A Cable from the power bank into a power adapter (not included), preferable QC 3.0 or 18W and up, or a charging USB input. The power indicator will illuminate.

PACKAGE INCLUDES

- 10000 mAh PORTABLE POWERBANK
- USB Charging Cable



NOTES

1. Do not drop, hit or shake the portable power bank as it can cause internal structure of lithium battery misplacement which may lead to damage!
2. Do not submerge the portable power bank into the water
3. Avoid prolonged exposure to sunlight or rain.
4. Do not store or carry flammable liquids, gases or explosives near power bank.
5. Use a charging adapter which matches the parameters of this product.
6. Keep the power bank out of the reach of children.
7. Do not disassemble the power bank even if it's damaged.
8. Choose smart mobile power protection. Intelligent protection has several advantages: over-current protection + short-circuit protection + over-discharge protection + regulator protection + overcharge protection, users do not have to worry if there's going to be a security risk after being charged for long periods of time.
9. If the power bank is not being used so often, it is recommended to have it charged at least 50% to keep the lifespan of the powerbank prolonged.

RMJ Group International declares that radio equipment **LAPB-2520BLK10** is in compliance with directive 2014/53/EU. The EU Declaration of conformity is available at: www.rmjgroup.com/docs

RMJ Group International LLC. Brooklyn, NY 11223

