

# Classic

LED LIGHT TURNTABLE WIRELESS SPEAKER



**4IN1** WIRELESS SPEAKER • WIRELESS CHARGER  
ALARM CLOCK • SOUND MACHINE

Thank you for choosing "Classic" LED Light Turntable Wireless Speaker. Please read this User's Manual carefully, before using the product, and please save this Manual for further reference. Before operating, please read all the safety notices to assure safe and appropriate use.

### ⚠ Safety Notice:

- Do not disassemble or modify the speaker for any reason, as it may get damaged or burn.
- Please keep the equipment along with all the accessories out of reach of children and pets. It can cause choking and/or serious injury.
- Please do not place the items in water, as liquid can damage the item.

### Package Includes:

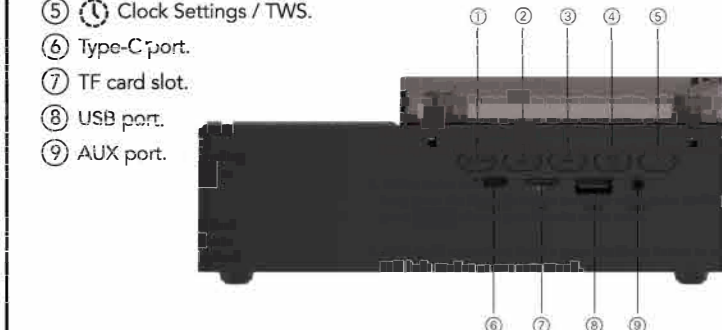
- Turntable Wireless Speaker
- USB Charging cable



### Specifications:

Bluetooth version	V5.3
Output power	5W
Wireless charger for phone	15W
Transmission distance	10m
Frequency	2.4GHZ-2.48GHZ
Built-in lithium battery voltage	3.7V/1200mAh
Product size	191*127*78mm

- M** Menu Button & Play/Pause Button: Short Press- Play or pause music. Long Press-Switch between modes: BT, FM Radio, USB, TF Card, AUX, and White Noise.
- ⏮ Short press to return to the previous song/adjust the time/adjust the alarm.
- ⏭ Short press to skip to the next song/adjust the time/adjust the alarm clock.
- 🕒 Alarm clock setting / Screen brightness adjustment
- 🕒 Clock Settings / TWS.
- Type-C port.
- TF card slot.
- USB port.
- AUX port.



### Instructions

**1. Power ON:** Slide the power tonearm stylus switch to the "CD" position. The speaker will power on with a colorful RGB light effect.

### 2. Using Wireless Function for the First Time:

**2.1 Initial Pairing Mode:** When turning on the speaker for the first time, you will hear a "beep" sound. This indicates that the speaker is now in pairing mode and ready to connect with a wireless device.

### 2.2 Connecting with a Mobile Phone:

- Go to your phone's Bluetooth® settings.
- Search for available devices.
- Select "LIFESTYLE ADVANCED CLASSIC" from the list of available devices to pair.
- Once connected, you will hear a confirmation indicating a successful connection.

**3. TWS Mode:** When you have two speakers, short press the 🕒 button two times to activate TWS (true wireless stereo) mode, the two speakers will connect to each other.

**4. FM Mode:** Press and hold the Menu button to switch to FM radio. Connect the charging cable to the product via the type-c port as a radio antenna. The other end does not need to connect to any equipment. Short press the Menu button to begin channel searching (channels should automatically save), then short press ⏮ ⏭ to alternate channels.

**5. Micro SD Card/USB MODE:** Insert the Micro SD card or USB flash drive into the appropriate slot or port. A voice prompt will indicate that the device is reading the audio files automatically and playback will begin. Short press on the buttons ⏮ ⏭ to control music playback.

### 6. Clock Setting

- Short press the button 🕒 to enter the hour and minute setting mode.
- Use the buttons ⏮ ⏭ to set the desired hour and minute.
- Short press the button 🕒 to confirm and save the time setting.
- After setting the time, press and hold the 🕒 button repeatedly to select a sleep timer:
  - Long Press once: Display shows L15 (Sleep timer: 15 minutes).
  - Long Press twice: Display shows L30 (Sleep timer: 30 minutes)
  - Long Press three times: Display shows L60 (Sleep timer: 60 minutes)
  - Long Press four times: Display shows OFF (Sleep timer disabled).

### 10. Alarm Clock Setting/Screen brightness adjustment

- Long press the button 🕒 to adjust the screen brightness.
- Short press the button 🕒 to enter the alarm setting mode.
- Press once to adjust the hour and press again to adjust the minutes.
- Use the buttons ⏮ ⏭ to set the desired hour and minutes.
- Short press the button 🕒 again to confirm the time.
- Then use the buttons ⏮ ⏭ to turn the alarm ON or OFF (an alarm icon will appear on the screen when it's ON). When the alarm rings, press button 🕒 to stop the alarm.

### 7. 12/24 Hour system switching

Short press the button 🕒 to enter time setting, then long press the button 🕒 to switch 12 hour or 24 hour show in the digital screen, then short press button 🕒 two times to confirm setting. (Only in 12 time system, the icon AM/PM will show on the digital screen).

### 8. White noise use:

Long press the Menu button to switch to white noise mode, short press ⏮ ⏭ choose your favorite white noise.

**9. RGB Light operation:** Double press the Menu Button to switch the LED light modes as per your mood.

**10. Wireless charger function:** When a phone (with wireless charging capability) is placed in the charging area, the screen will display a charging symbol (white light). The symbol will disappear once the phone is removed from the charging position.

### Charging the Speaker

#### 1. Locate the USB-C Charging Port

Find the USB-C port on the back of the speaker.

#### 2. Use the Included USB-C Cable

Plug the USB-C end of the charging cable into the speaker's charging port.

#### 3. Connect to a Power Source

Plug the USB-A end (or the opposite end of the cable) into a wall adapter, power bank, or computer USB port.

#### 4. Power On While Charging

You can use the speaker while it charges. Charging time may vary depending on the power source.

#### 5. Charging Indicator

The speaker's LED indicator will glow red while charging and will turn off once fully charged.



### Safety Instructions:

Read the following recommendations before using the product. Following these you will be able to enjoy the product for many years.

- Do not expose the device to liquid, moisture or humidity to avoid the product's internal circuit being affected.
- Don't use abrasive cleaning solvents to clean the device.
- Do not expose the device to extremely high or low temperature as this will shorten the life of electronic devices, and distort certain plastic parts.
- Don't dispose of the device in a fire as it will result in an explosion.
- Don't expose the device to contact with sharp objects as this will cause scratches and damage.
- Do not listen to high volume sound for a prolonged time to avoid hearing damage. Set the volume to a safe level. The louder the volume, the greater the damage.
- Don't attempt to disassemble the device as it may get damaged. If you are not professional. Seek a qualified service professional if it requires repair.

RMJ Group International declares that radio equipment **LASP-6100BLK** is in compliance with directive 2014/53/EU. The EU Declaration of conformity is available at: [www.rmjgroup.com/docs](http://www.rmjgroup.com/docs)

RMJ Group International LLC. Brooklyn, NY 11223

