



## Kool-Down™ Evaporative Air Cooler

Thank you for your purchase of this Jobar Product!

**WARNING: The fan blades revolve at high speeds. Never open the machine with the blades in motion. Always keep this machine away from children and pets. This is not a toy.**

### Before Opening Unit:

- 1) Switch Power Button to the OFF position.
- 2) Make sure blades are not in motion.
- 3) Disconnect power.

### To Operate Kool-Down™ Evaporative Air Cooler:

1. Ensure Power Button (#7) is in OFF position. Remove Battery Cover (#8) located at bottom of unit. Insert 4-C Type batteries according to the polarity (+/-) marked in the Battery Compartment (#9). Replace battery cover.

a. **For Use With ADPT Model:** Unplug adapter from Adapter Jack (#10) and remove from power outlet. DO NOT install batteries.

2. Remove Top Cover (#1) and set aside. Remove Water Tank (#2) by pulling up and remove Screw Cap (#4). Fill with cold water and replace Screw Cap.

**NOTE:** Insert the rubber gasket inside the Screw Cap at angle first.

3. Remove the Evaporative Water Filter (#3) and soak in cold water. Shake off the excess water and insert back into Air Cooler, making sure the filter sits properly in the fitting. The side of the filter labeled FRONT needs to face the Adjustable Vents, with the side labeled TOP facing up.

4. Insert Water Tank (#2) back into place ensuring it is securely in position. Once Water Tank is in place DO NOT tilt or turn unit on its side as water may leak. **NOTE:** A 'Clicking' sound may result if the water tank is not secured properly. Make sure the water tank is firmly in place.

5. Replace the Top Cover (#1)

6. Switch the 2-Speed Switch (#7) to the High or Low position. The Red LED light power indicator will light up upon selecting either position.

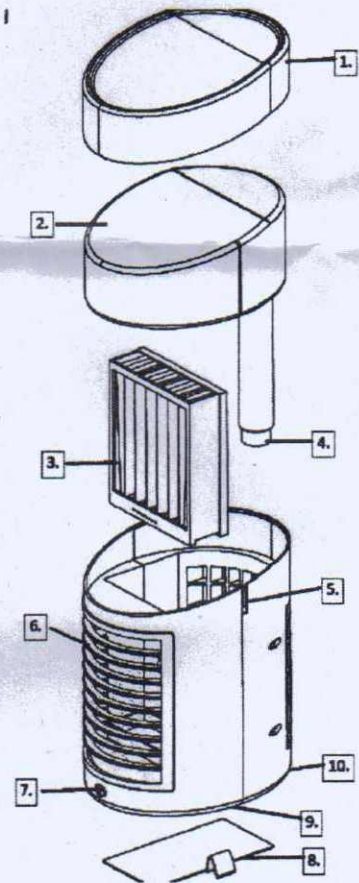
a. **For Use With ADPT Model:** Plug adapter back into Adapter Jack (#10). Make sure DC adapter is connected to power outlet.

7. Direct the cold air by adjusting the Adjustable Vents (#6).

8. Monitor the Water Level Gauge (#5) and maintain water in the Water Tank (#2) at all times. Do not let Kool-Down™ Evaporative Air Cooler run with an empty tank as it may damage the Evaporative Water Filter.

### Parts List:

1. Top Cover
2. 28oz Water Tank
3. Evaporative Water Filter
4. Screw Cap
5. Water Level Gauge
6. Adjustable Vents
7. ON/OFF, 2-Speed Switch
8. Battery Compartment Cover
9. Battery Compartment
10. DC Adapter Jack (For use with DC Adapter)



Batteries not included.

Up to 8-10 hour usage between water refills. Varies based on speed of fan.

6.0V 0.5A DC Adapter

Visit [www.jobar.com](http://www.jobar.com) to see more great Jobar products  
Manufactured for Jobar International, Inc.  
Carson, CA. 90745

Made in China  
# 7421 01/15